



OIL FILTER CONTAINER

Cabinet built with 1/8" steel painted by powder coating process
stainless steel work table

- Wall Installation on stand-alone
- Robust construction
- Safe opening and closing pedal
- Size 42" L x 47H x 20" D 20"
- Volume : 13 gallons ou 50 litres



Built from Québec

SEI METAL

METAL PRODUCT
MANUFACTURER

OIL FILTER CONTAINER

TRUCKS AND CARS

UP TO 13 GALLONS

STEEL PAINTED BY POWDER
COATING PROCESS

SEI

1402 rivières-aux-pins

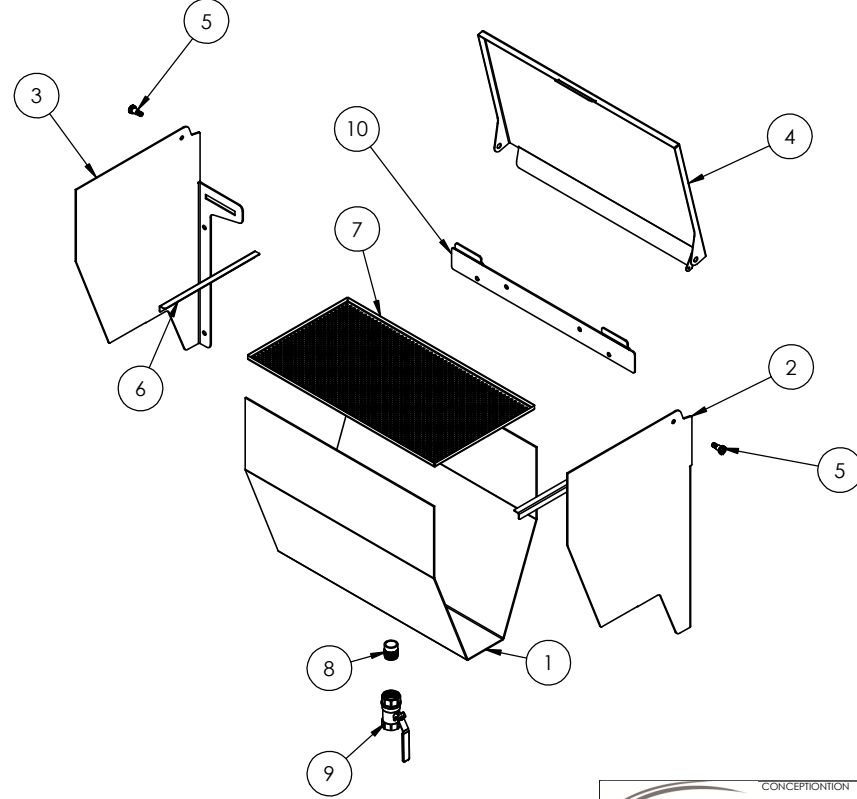
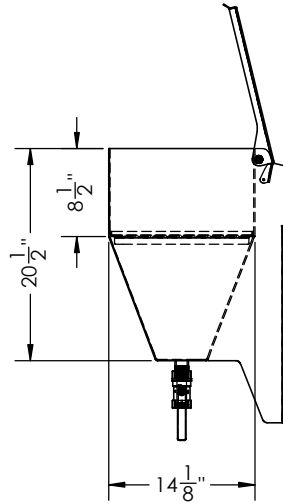
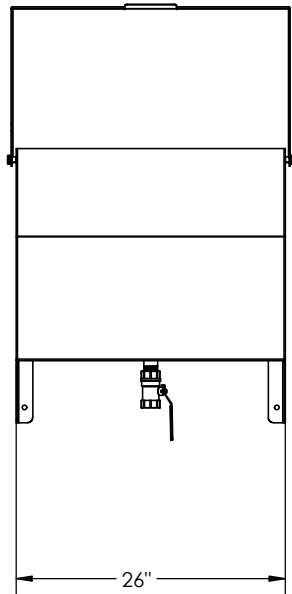
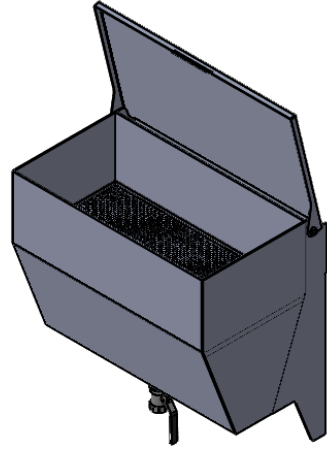
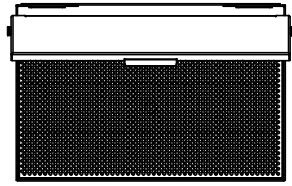
Varenes

Québec

J3X 1P7

T450-929-1103

F450-929-2774



No. ARTICLE	NUMERO DE PIECE	DESCRIPTION	QTE
1	A-11573	CONTOUR BAC RÉCUPÉRATION D'HUILE USÉE 8 PO.	1
2	A-11574	COTÉ DROITE	1
3	A-11575	COTÉ GAUCHE	1
4	A-10857	COUVERCLE	1
5	91259A707	shoulder screw 1/2 x 1/2 t;3/8-16	2
6	A-10881	ANGLE DE SUPPORT GRILLAGE	2
7	A-10882	GRILLAGE	1
8	4788K456	NIPPLE CLOSED ENDS 1" NPT MOD.	1
9	8173K23	BALL VALVE 1" NPT	1
10	A-10880	BAR EN Z	1

CONCEPTION	DESSIN PAR J-P BERGERON	DATE 2017-10-17	FORMAT B
DESCRIPTION SUB ASSY BAC RÉCUPÉRATION D'HUILE USÉE 8 PO.			ECHELLE 1:12
NUMERO B-11572	REFERENCE	PAGE 2 DE 2	